

NORLEG

MAIN

ALTEBO

8064256, 8066009

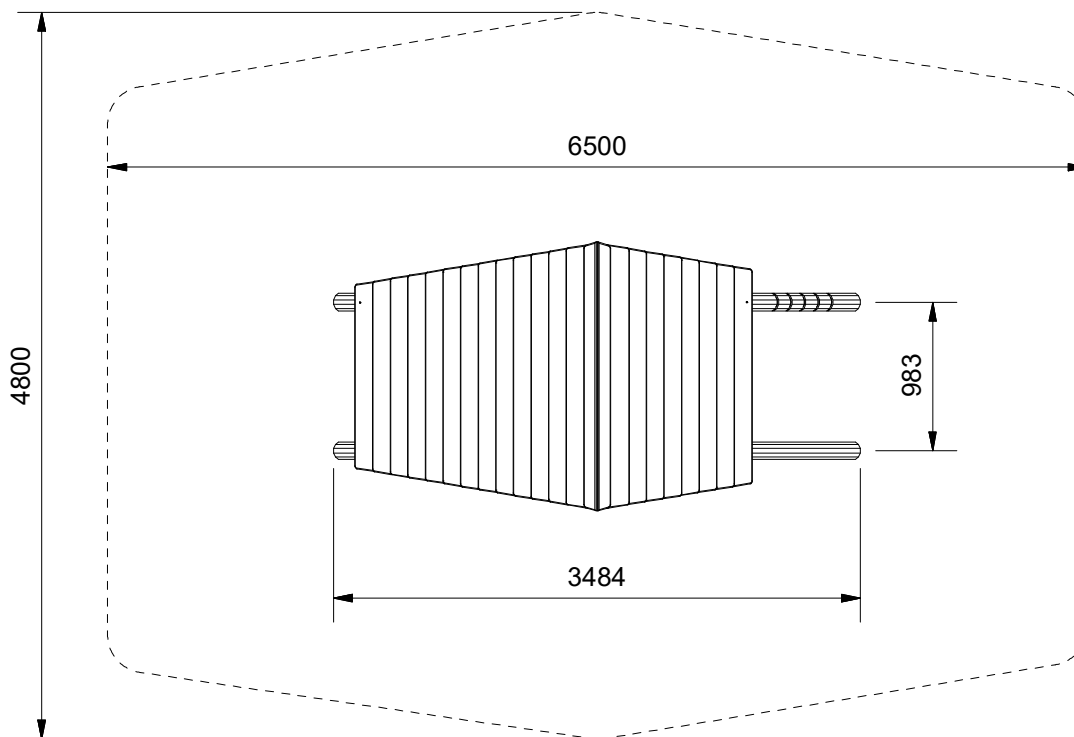
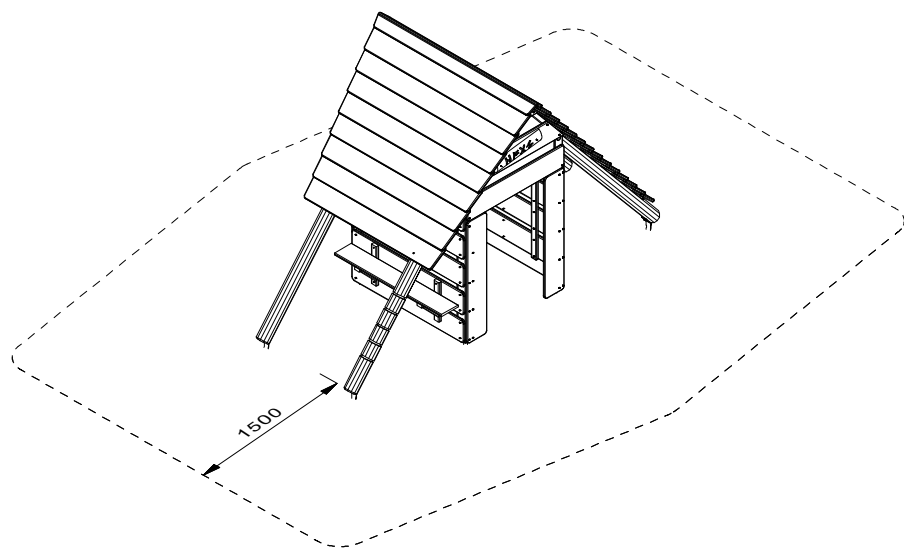
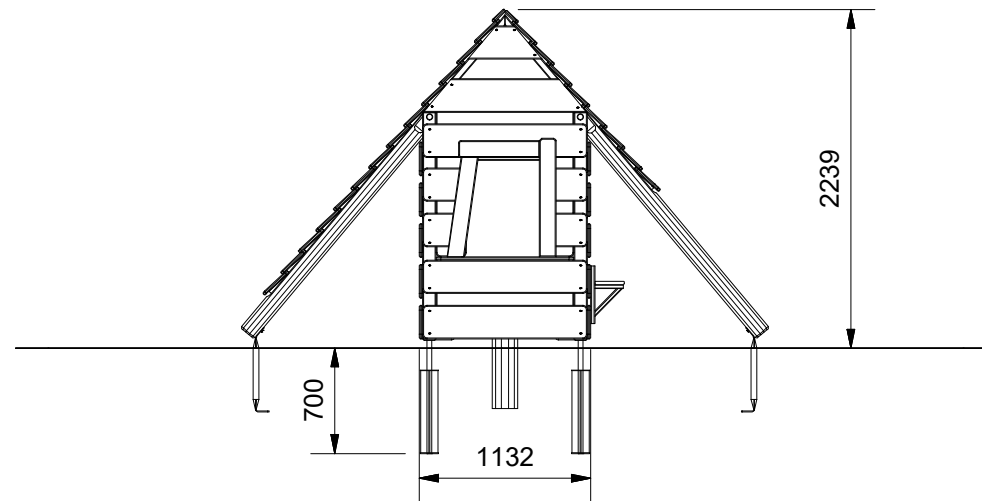
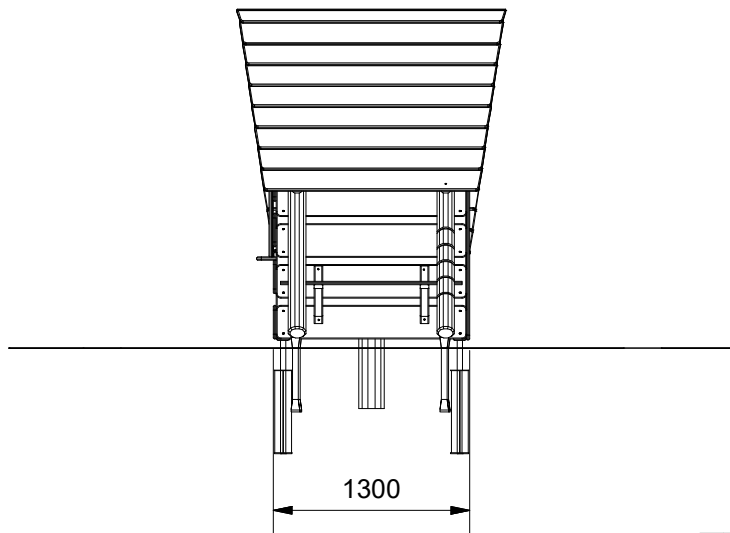
Dato 24-05-2017

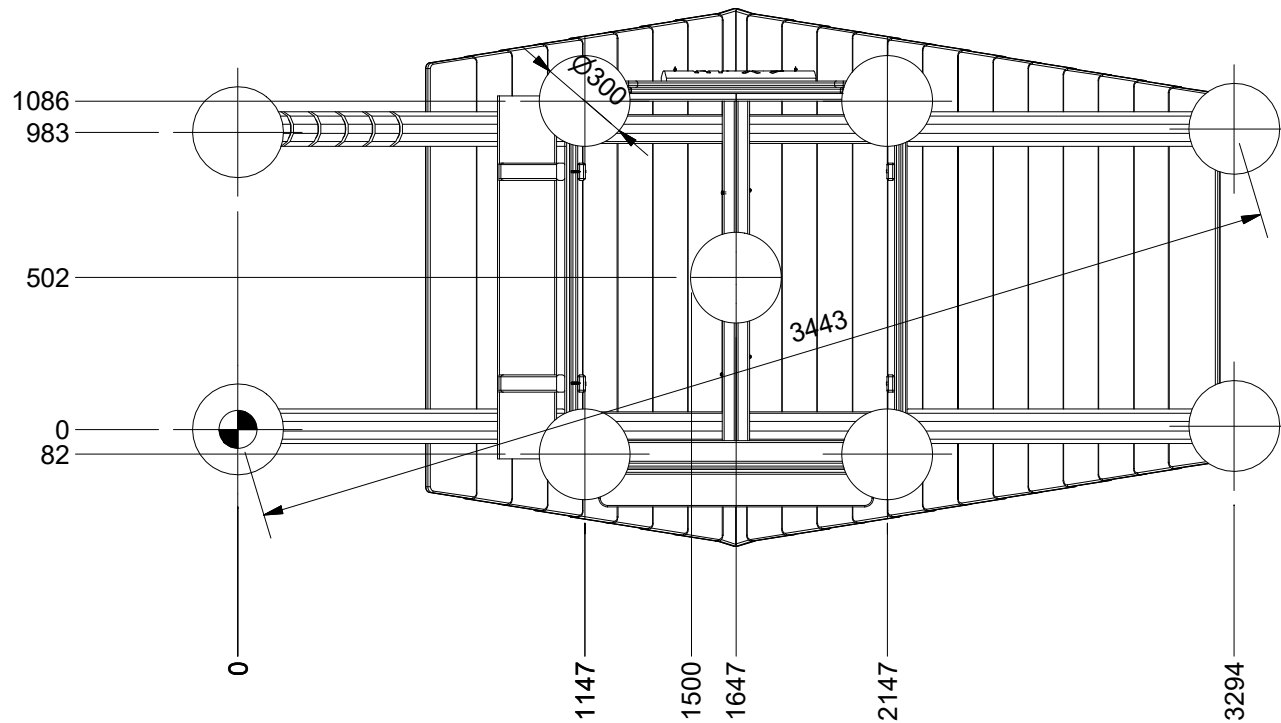
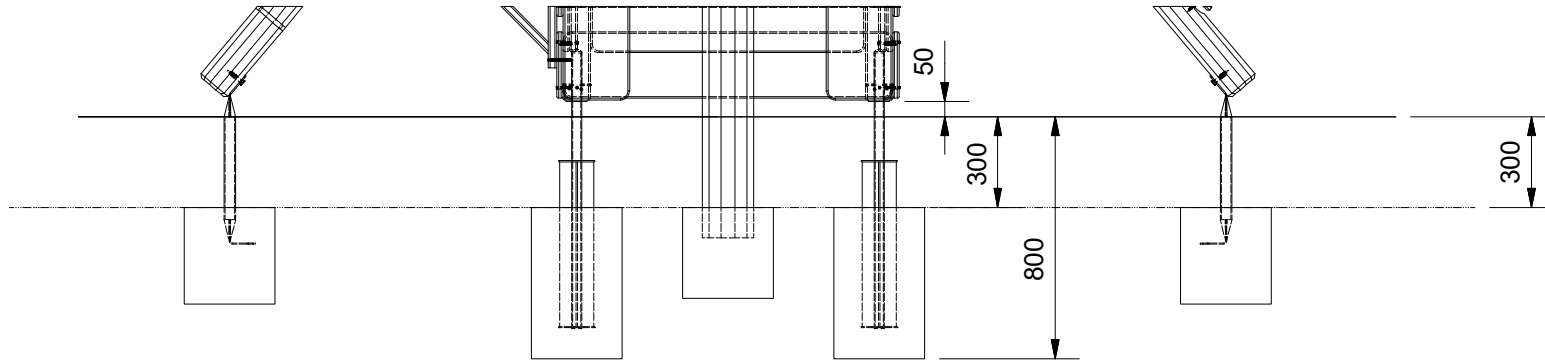
REV. 05-03-2018 /hn

FH=<60 cm

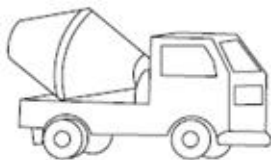


≥EN 1176





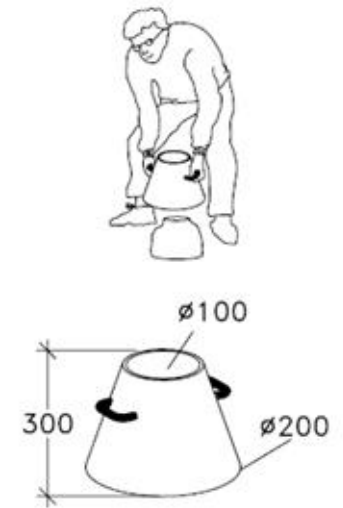
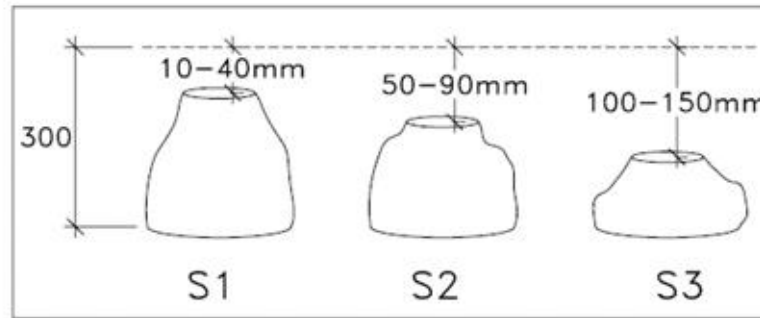
XxXh !



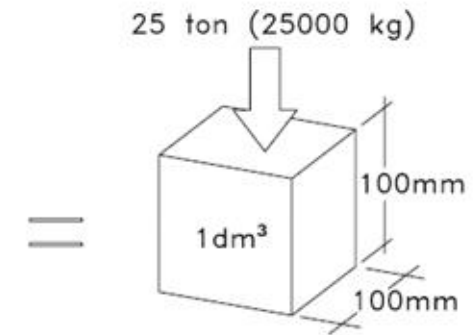
S1-S3
>C20/25

101

S1-S3
(EN 206-1)



≥C20/25
(EN 206-1)



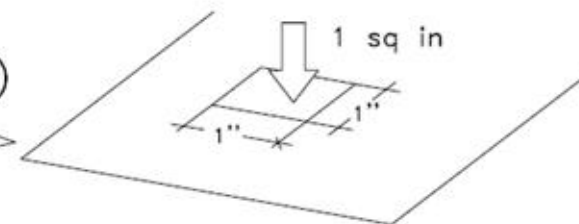
HAGS ANEBY, SWEDEN
+46(0)380-47300
www.hags.com

Concrete quality
101
1(1)

MN TJ 2008-02-08 1

(For US/CAN market)

2000 PSI (minimum)
3000 PSI (minimum if freezing conditions)

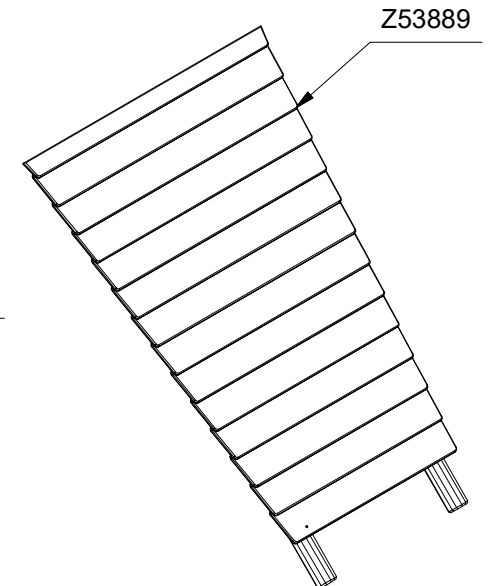
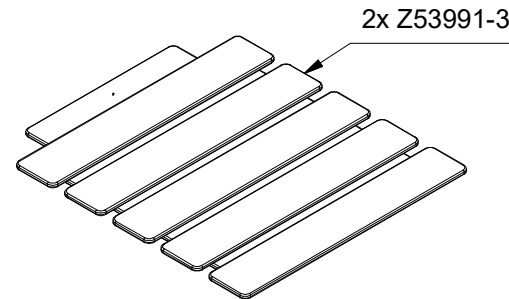
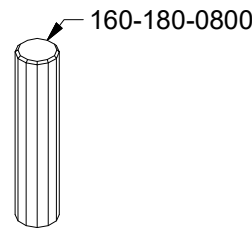
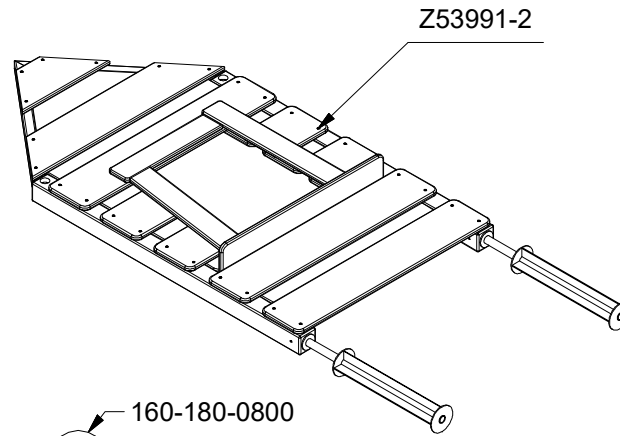
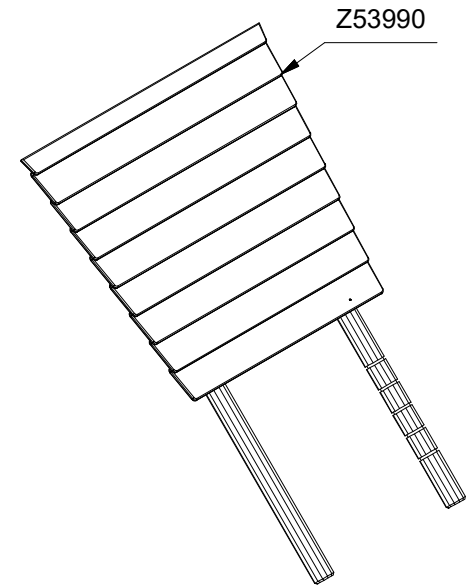
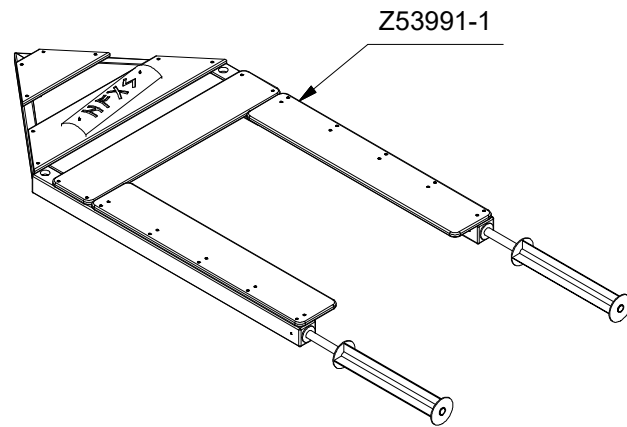
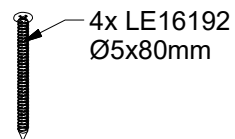
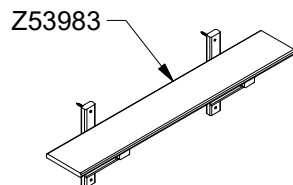
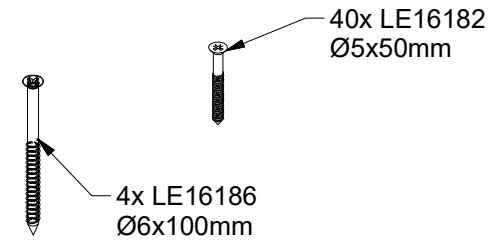
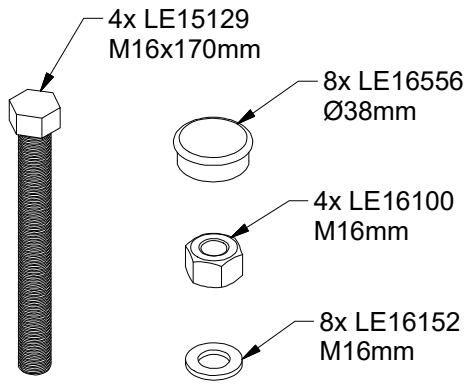
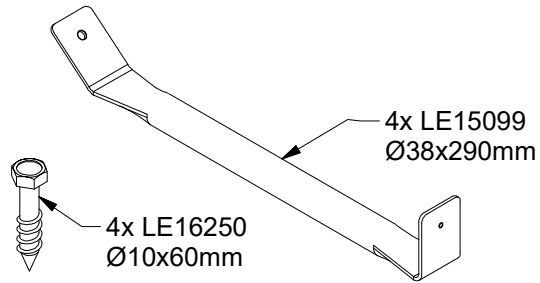


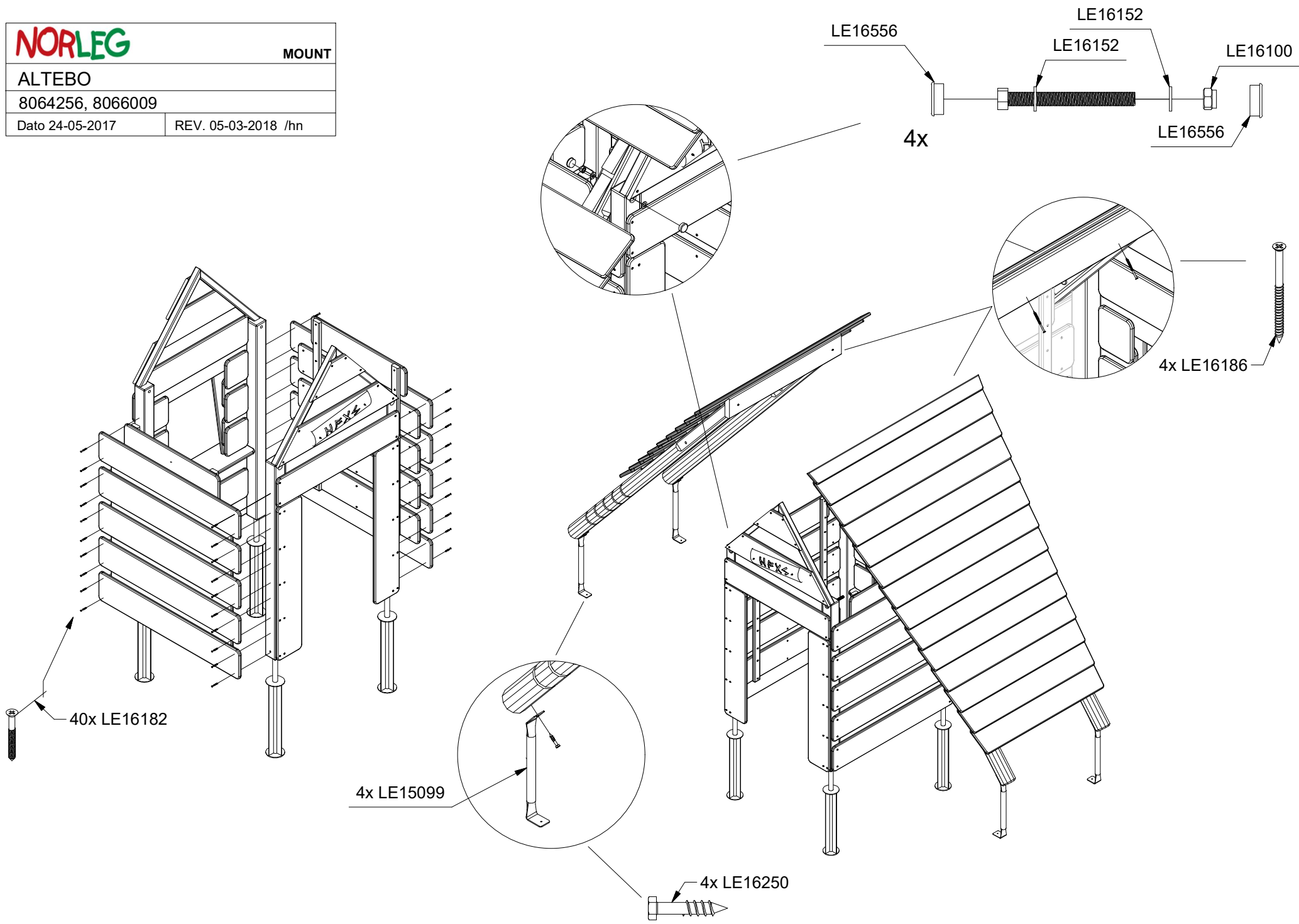
ALTEBO

8064256, 8066009

Dato 24-05-2017

REV. 05-03-2018 /hn





NORLEG

MOUNT

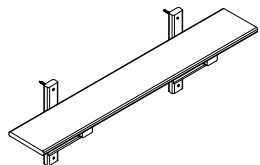
ALTEBO

8064256, 8066009

Dato 24-05-2017

REV. 05-03-2018 /hn

Z53983



4x LE16192

